



7259 JERRY DRIVE
WEST CHESTER, OHIO 45069
PHONE: 513-253-5497
ARTISANINDUSTRIALS.COM

THE ULTIMATE ACCURACY OF THIS ARTISAN SUNDIAL WILL BE DETERMINED BY THE PRECISION AND CARE EXERCISED DURING THE FABRICATION AND INSTALLATION PROCESS. ARTISAN INDUSTRIALS IS NOT RESPONSIBLE FOR ANY PROBLEMS RESULTING FROM THE FOLLOWING:
FLAWED SUNDIAL CONSTRUCTION OR FIELD INSTALLATION, FLAWED SURVEYING TECHNIQUES OR A SUNDIAL FACE OR GNOMON THAT IS IMPROPERLY FABRICATED BY CONTRACTORS OTHER THAN ARTISAN INDUSTRIALS AND DOES NOT CORRESPOND PRECISELY TO THE DRAWINGS. FLAWED CONSTRUCTION MATERIALS OR STRUCTURAL DETAILS SPECIFIED BY OTHERS, NORMAL WEAR AND TEAR, VANDALISM OR THEFT.



HENRY BELLMON
RESEARCH CENTER
SUNDIAL
STILLWATER, OKLAHOMA

PROJECT NUMBER:

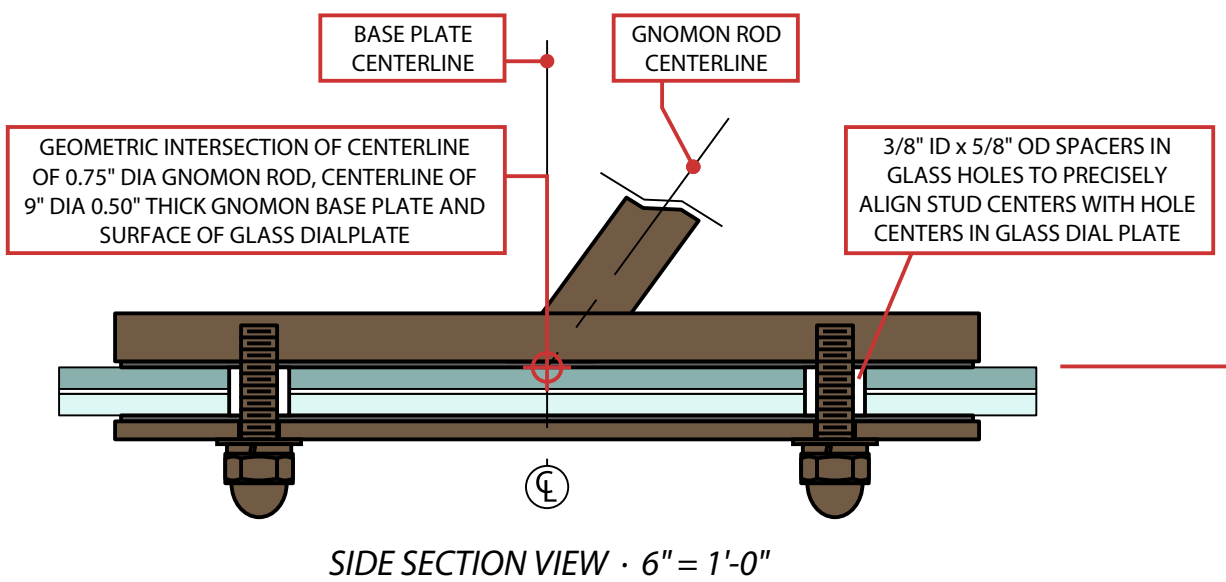
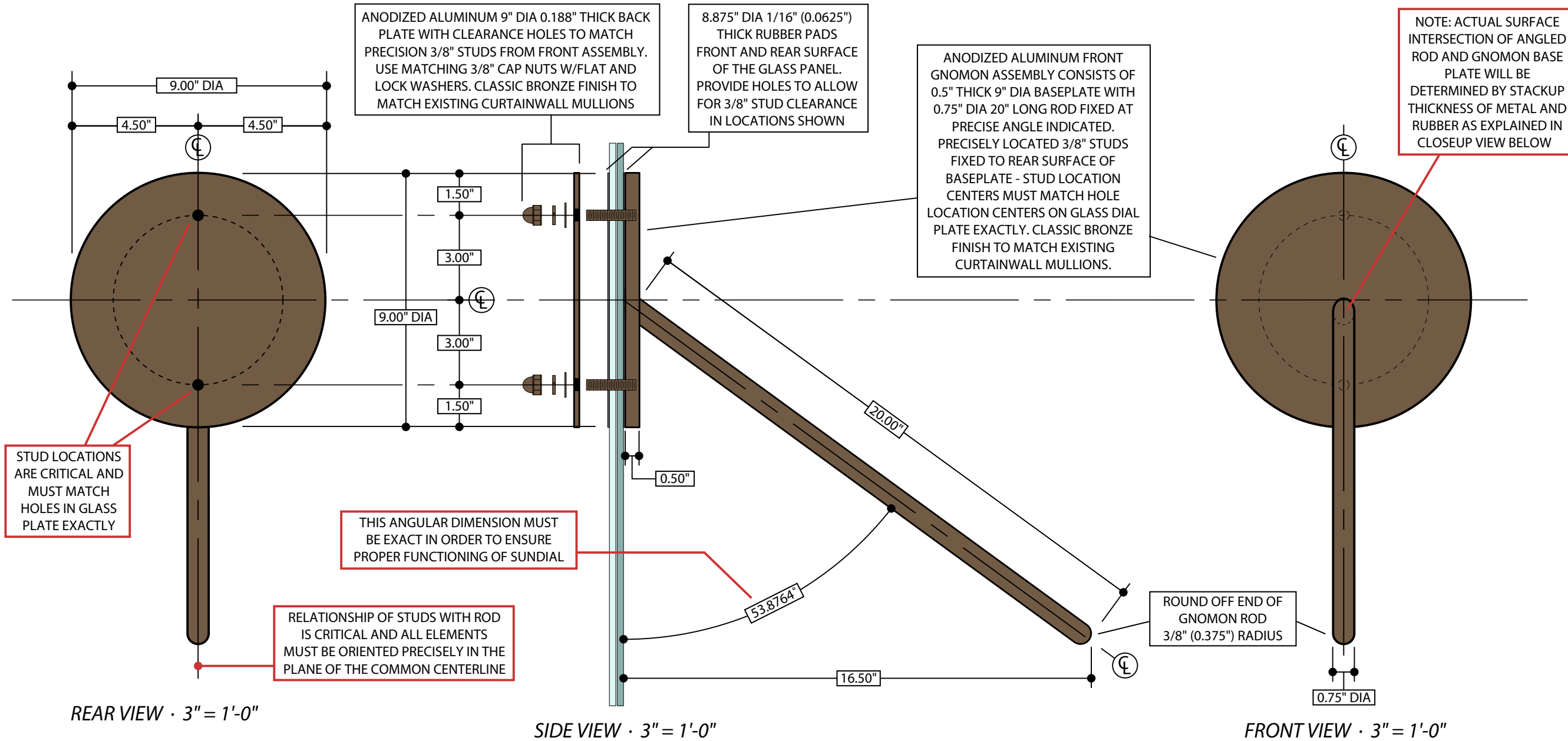
TITLE:
OSU HBRC SUNDIAL
GNOMON ASSEMBLY
GENERAL DIMENSIONS
AND PROJECT NOTES

DRAWING NUMBER
HBRC-PR37-002

REFERENCE:
ORIGINAL CONCEPT SHEET
GNOMON CONFIGURATION

ISSUE DATE

© ARTISAN INDUSTRIALS 2011



THE GEOMETRIC CENTERLINE OF THE ANGLED GNOMON ROD MUST ALIGN WITH THE CROSS HATCH REFERENCE CENTER ON THE SURFACE OF THE GLASS DIAL PLATE AND ALSO THE CENTERLINE OF THE GNOMON BASEPLATE AS SHOWN. THIS GEOMETRY MUST BE EXACT IN ORDER FOR THE SUNDIAL TO TELL ACCURATE TIME. THE PRECISE SURFACE INTERSECTION OF THE ROD WITH THE 0.50" THICK BASE PLATE IS DETERMINED BY THE DIMENSIONAL STACKUP OF METAL PLATE AND RUBBER PAD ABOVE THE REFERENCE POINT ON THE FIRST SURFACE OF THE GLASS DIAL PLATE. VERIFY THICKNESS DIMENSIONS OF PLATE AND RUBBER BEFORE FIXING THE ROD TO THE PLATE AND ADJUST THE SURFACE INTERSECTION OF BASE PLATE AND ROD ACCORDINGLY TO ACHIEVE THIS TARGET GEOMETRY

