

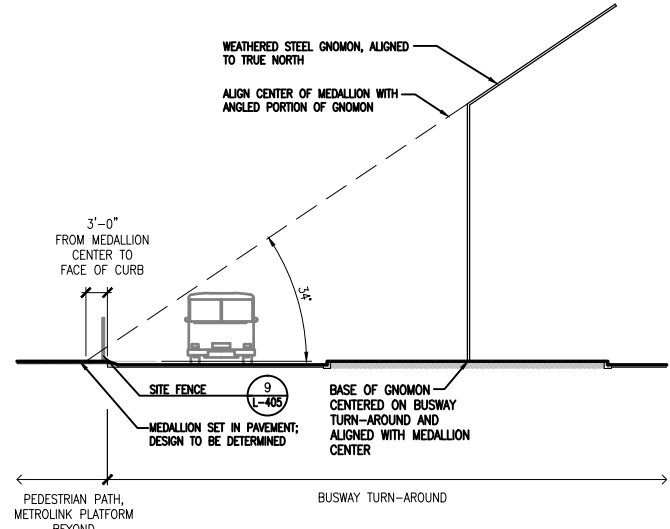
**SUNDIAL LAYOUT PLAN**

1" = 10'-0"

**SUNDIAL HOUR MARKER SCHEDULE**

SEE HOUR INDICATOR ON PLAN FOR LAYOUT	HOUR	RELATIVE TO TRUE NORTH	LENGTH	QUOTE
(6A)	06 AM	-90.00'	n/a	THE FUTURE STARTS TODAY...
(9)	09 AM	-29.22'	14'-3"	TIME IS MONEY
(10)	10 AM	-17.90'	14'-4"	HASTE MAKES WASTE
(11)	11 AM	-08.52'	13'-10"	NOTHING ENDURES BUT CHANGE
(12)	12 PM	0'	13'-8"	TIME DISCOVERS TRUTH
(1)	01 PM	+08.52'	16'-4"	TIME BRINGS ALL THINGS TO PASS
(2)	02 PM	+17.90'	25'-3"	LOST TIME IS NEVER FOUND
(3)	03 PM	+29.22'	68'-8"	NATURE DOES NOT HURRY
(4)	04 PM	+44.09'	39'-0"	HOW DID IT GET SO LATE SO SOON?
(5)	05 PM	+64.40'	51'-0"	TIME STAYS, WE GO
(6)	06 PM	+90.00'	n/a	...NOT TOMORROW

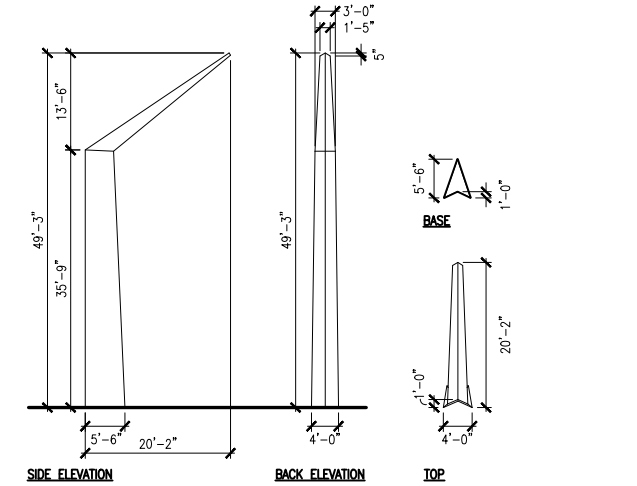
- NOTES:**
- SUBMIT SHOP DRAWINGS FOR APPROVAL; PROVIDE MOCK-UPS AND SCHEDULE APPROVALS PER SPECIFICATIONS PRIOR TO FINAL CONSTRUCTION
  - LENGTH OF EACH MARKER AS NOTED IN SCHEDULE IS SHOWN SHADED IN PLAN
  - LENGTH DIMENSIONED FROM MIDPOINT TO MIDPOINT ALONG MARKER AND IS APPROXIMATE
  - SEE L-100 SERIES FOR CONTEXT HARDSCAPE FINISHES
  - WIDTH OF HOUR MARKERS:
    - 9-11 EXTEND WEST
    - NOON MARKER WIDTH CENTERED
    - 1-4 EXTEND EAST
  - LAY OUT HOUR MARKERS WITH PAINT, STRING OR FLAGS AND CALIBRATE OVER A 24-HOUR PERIOD, WITH GNOMON TEMPORARILY IN PLACE, MARKERS ARE CALIBRATED CORRECTLY; SEE GNOMON DETAIL
  - THE INLAY ARRANGEMENTS FOR HOUR MARKERS 3-5 ARE INVERTED - THE HOUR DOT INLAYS REMAIN SOUTH/WEST OF THE ARCED PAVEMENT JOINT, BEGINNING 6" BELOW THE JOINT; QUOTE PLAQUES ARE TO BE INSTALLED NORTH/WEST EXTENDING INTO ADJACENT SIDEWALK AS SHOWN



- TO CALIBRATE SUNDIAL:**
- GNOMON TO BE SUPPORTED IN PLACE TEMPORARILY
  - STAKE LAYOUT OF HOUR MARKERS PER LAYOUT PLAN DETAIL
  - OVER A 24-HOUR PERIOD, CONFIRM GNOMON SHADOWS ALIGN WITH STAKED HOUR MARKINGS
  - ± 5-MINUTE ACCURACY IS ACCEPTABLE

**SUNDIAL GNOMON SECTION**

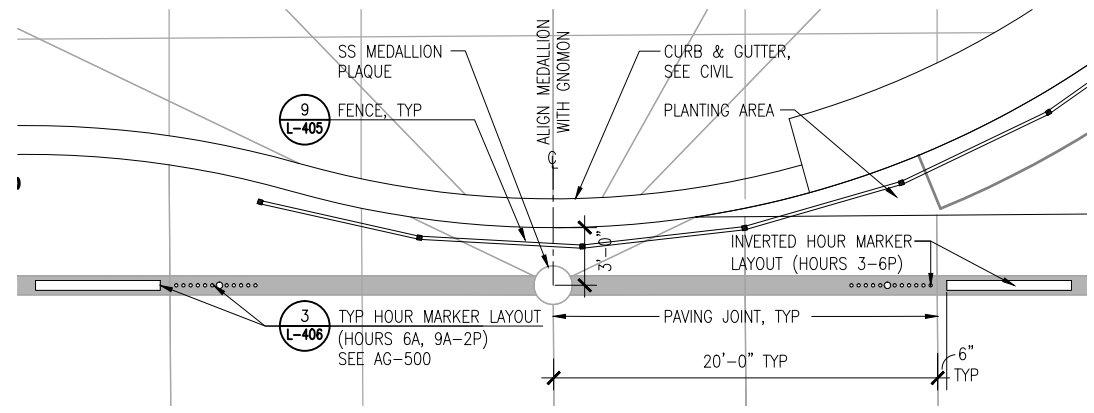
NOT TO SCALE



- NOTES:**
- GNOMON TO BE CONSTRUCTED OF 1/2" THICK WEATHERED STEEL
  - INSTALL ONE MONOCHROMATIC HYDREL 4807-SP-CLC-DNA OR APPROVED EQUAL, AT NORTH AND SOUTH SIDES OF GNOMON, MIN. OR AS APPROVED
  - PROVIDE SHOP DRAWINGS FOR REVIEW PRIOR TO FABRICATION, INCLUDING FOUNDATION AND LIGHTING

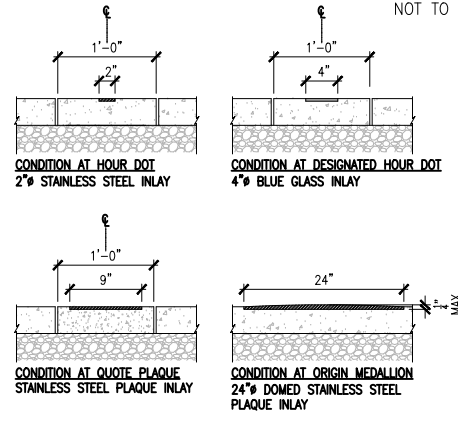
**SUNDIAL GNOMON DETAILS**

NOT TO SCALE



**ORIGIN MEDALLION & 6:00 HOUR MARKERS**

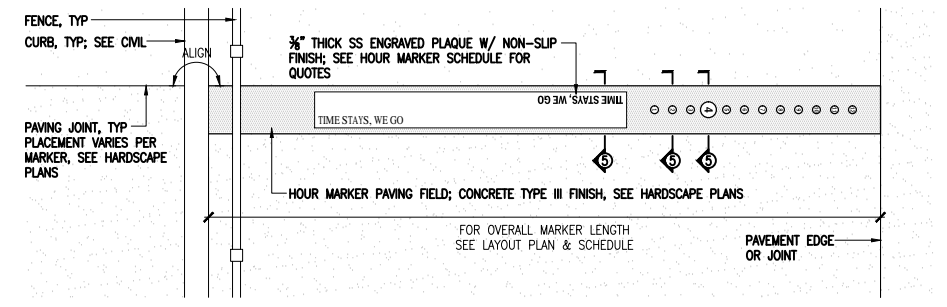
NOT TO SCALE



- NOTES:**
- ALL INLAYS TO BE SET FLUSH WITH ADJACENT FINISH SURFACE, EPOXY IN PLACE
  - SEE HOUR MARKER SCHEDULE FOR QUOTES, LENGTH AND LOCATIONS
  - SEE AG-SERIES FOR QUOTE FONT, SIZE AND LAYOUT
  - SEE L-100 SERIES FOR CONTEXT HARDSCAPE FINISHES

**HOUR MARKER DETAIL SECTIONS**

1" = 1'-0"



- NOTES:**
- SEE L-100 SERIES FOR CONTEXT HARDSCAPE FINISHES
  - SEE AG-500 FOR LAYOUT, FONT AND SIZE OF INLAY PIECES
  - CONTRACTOR TO SUBMIT PRE-TASK PLAN AND SHOP DRAWINGS FOR REVIEW AND APPROVAL PRIOR TO COMMENCING WORK IN THIS AREA
  - SOME DIMENSIONS MAY VARY BASED ON FIELD CONDITIONS; CONSULT WITH AGENCY'S REPRESENTATIVE TO MAKE ADJUSTMENTS

**HOUR MARKER DETAIL-PLAN**

NOT TO SCALE

REV.	DATE	BY	APP.

DESIGNED BY	A. COTTINI
DRAWN BY	A. COTTINI
CHECKED BY	L. PATY
APPROVED BY	R. JANIK
DATE	12-31-2013

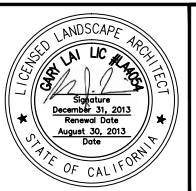
DESIGNED BY: A. COTTINI  
 DRAWN BY: A. COTTINI  
 CHECKED BY: L. PATY  
 APPROVED BY: R. JANIK  
 DATE: 12-31-2013

**Omnitrans**  
**SANBAG** SAN BERNARDINO ASSOCIATED GOVERNMENTS

**HDR**  
 2280 Market Street  
 Suite 100  
 Riverside, Ca 92501-2110  
 HDR Engineering, Inc.

**ISSUED FOR CONSTRUCTION**

APPROVED: \_\_\_\_\_



**TRANSIT CENTER**  
**LANDSCAPE DETAILS**  
**SUNDIAL**

CONTRACT NO. IFB C14002  
 DRAWING NO. L-406  
 REVISION SHEET NO. 78 OF 246  
 SCALE AS NOTED