

RUBY HILL PARK

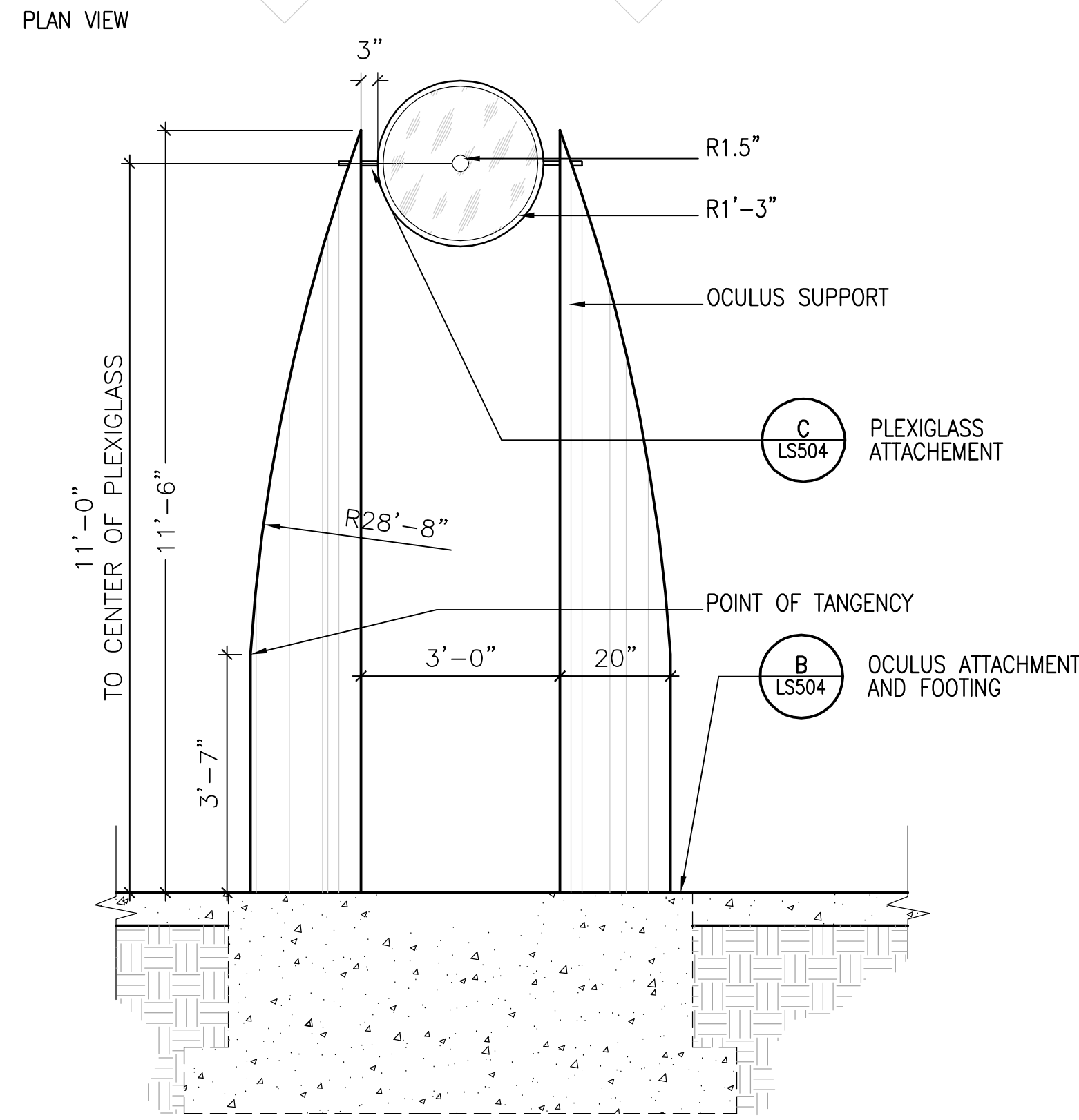
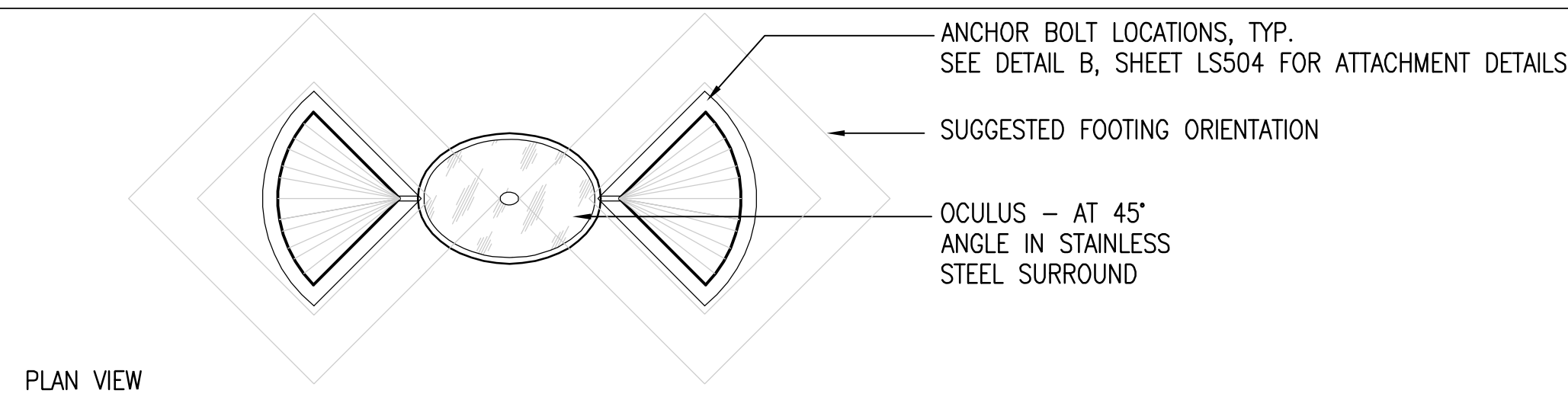


Denver Parks + Recreation

201 West Colfax Avenue
Denver, CO 80202
720.913.0696



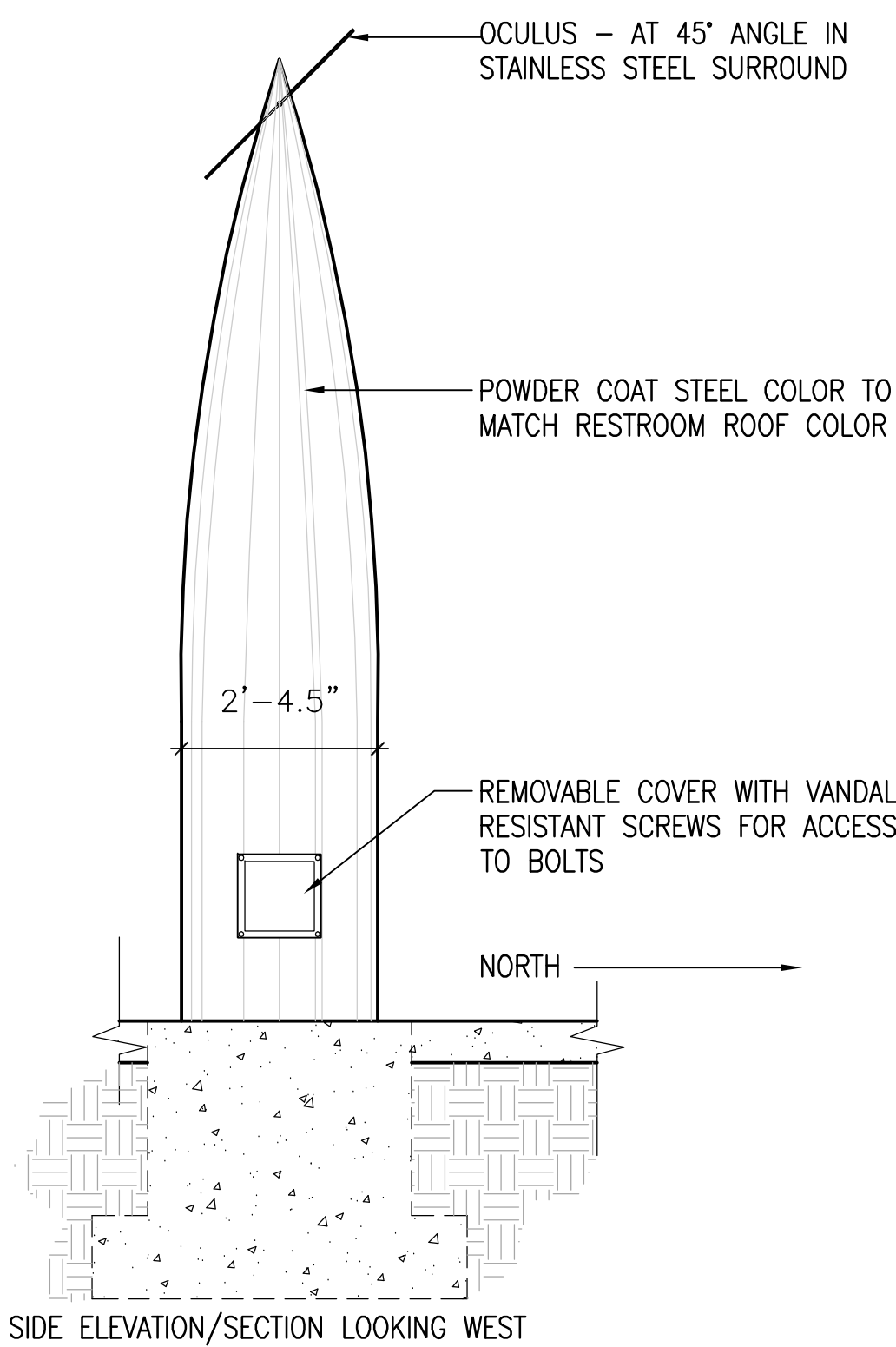
141 s. college ave., suite 104
fort collins, co 80524
p: 970.484.8855
www.russellmillsstudios.com



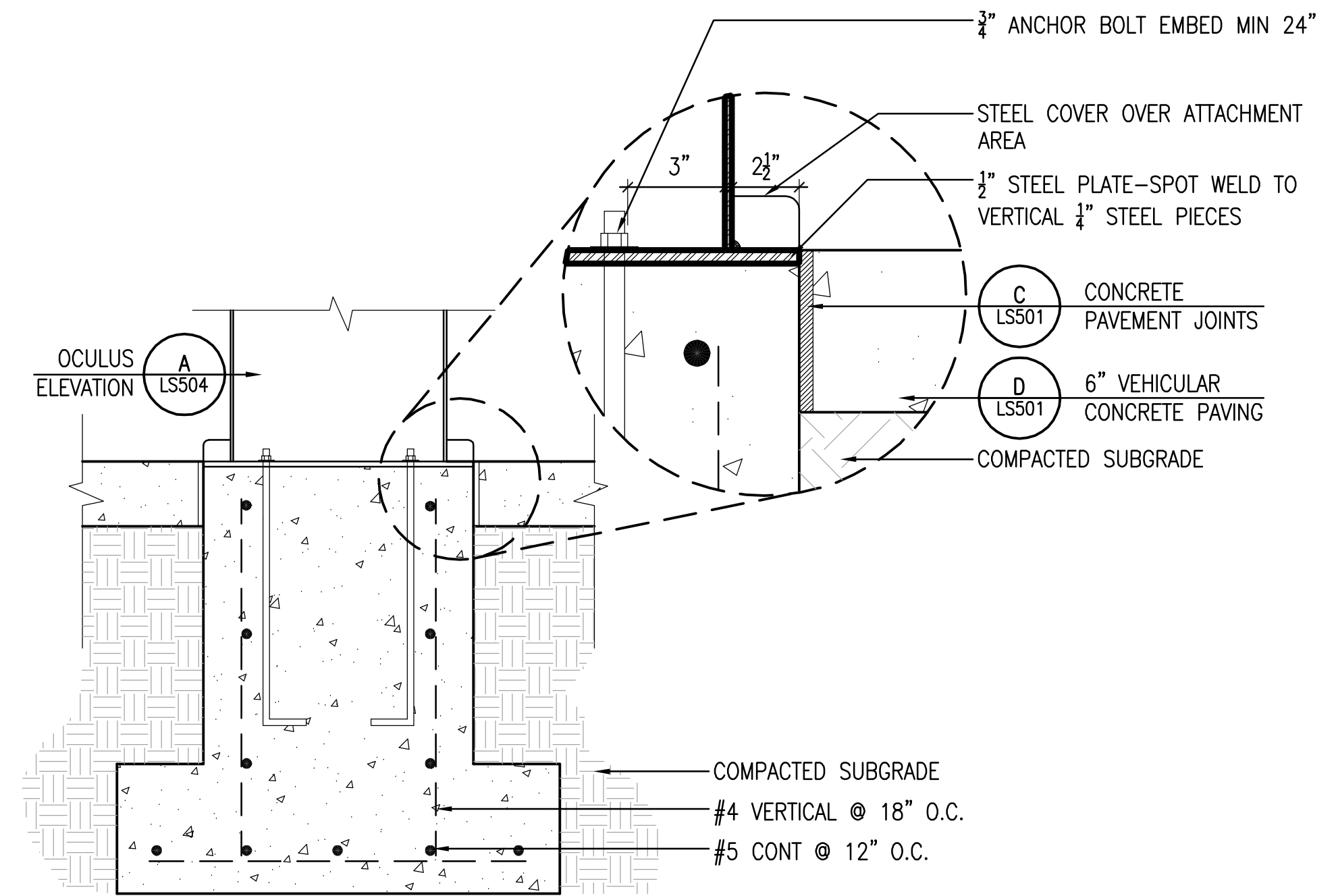
FRONT ELEVATION/SECTION

NOTES:
1. CONTRACTOR TO SUBMIT SHOP DRAWINGS FOR OCULUS FABRICATION
LANDSCAPE ARCHITECT TO APPROVE BEFORE FABRICATION

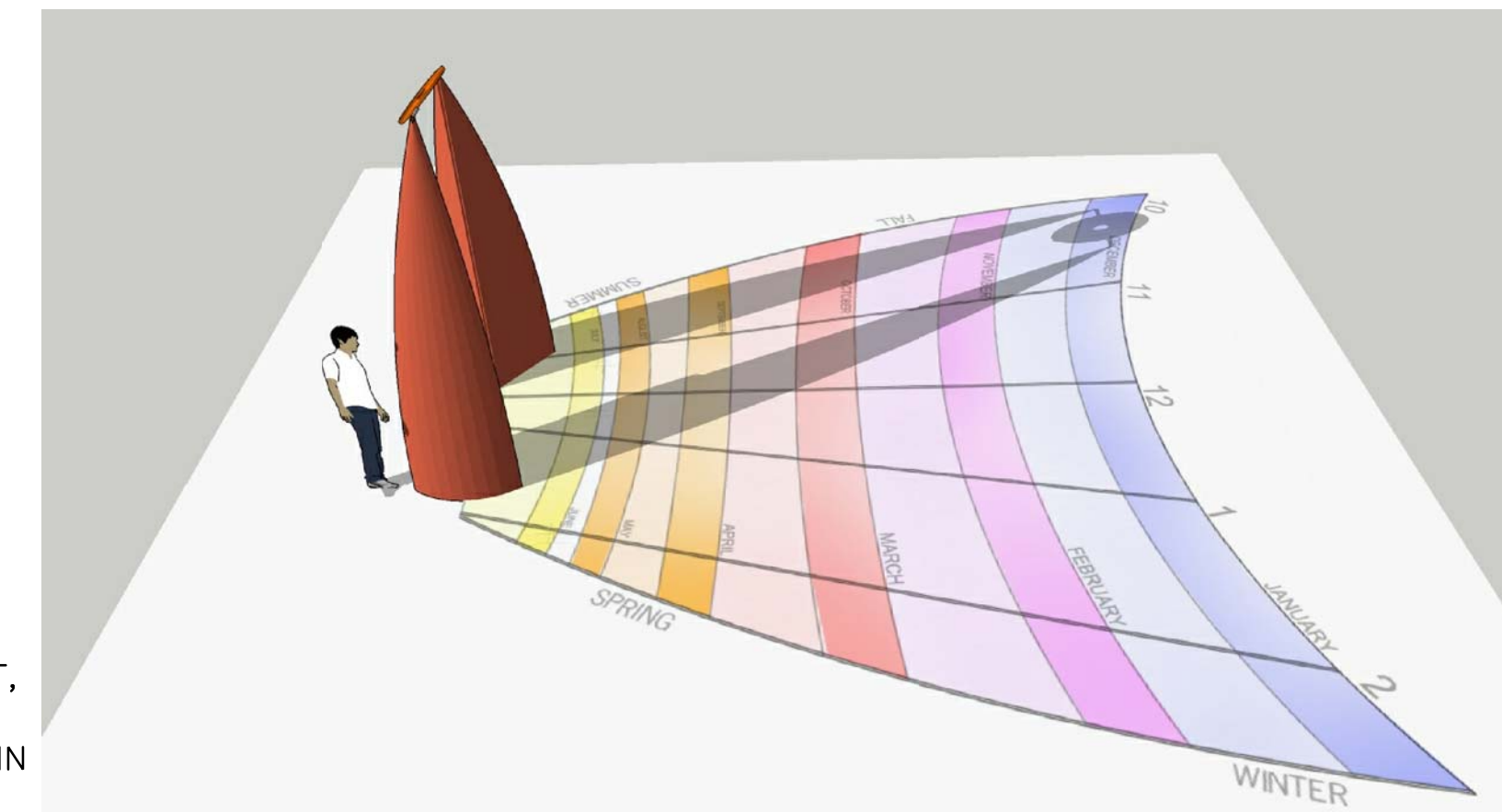
A OCULUS ELEVATION
SCALE: 1/2"=1'-0"



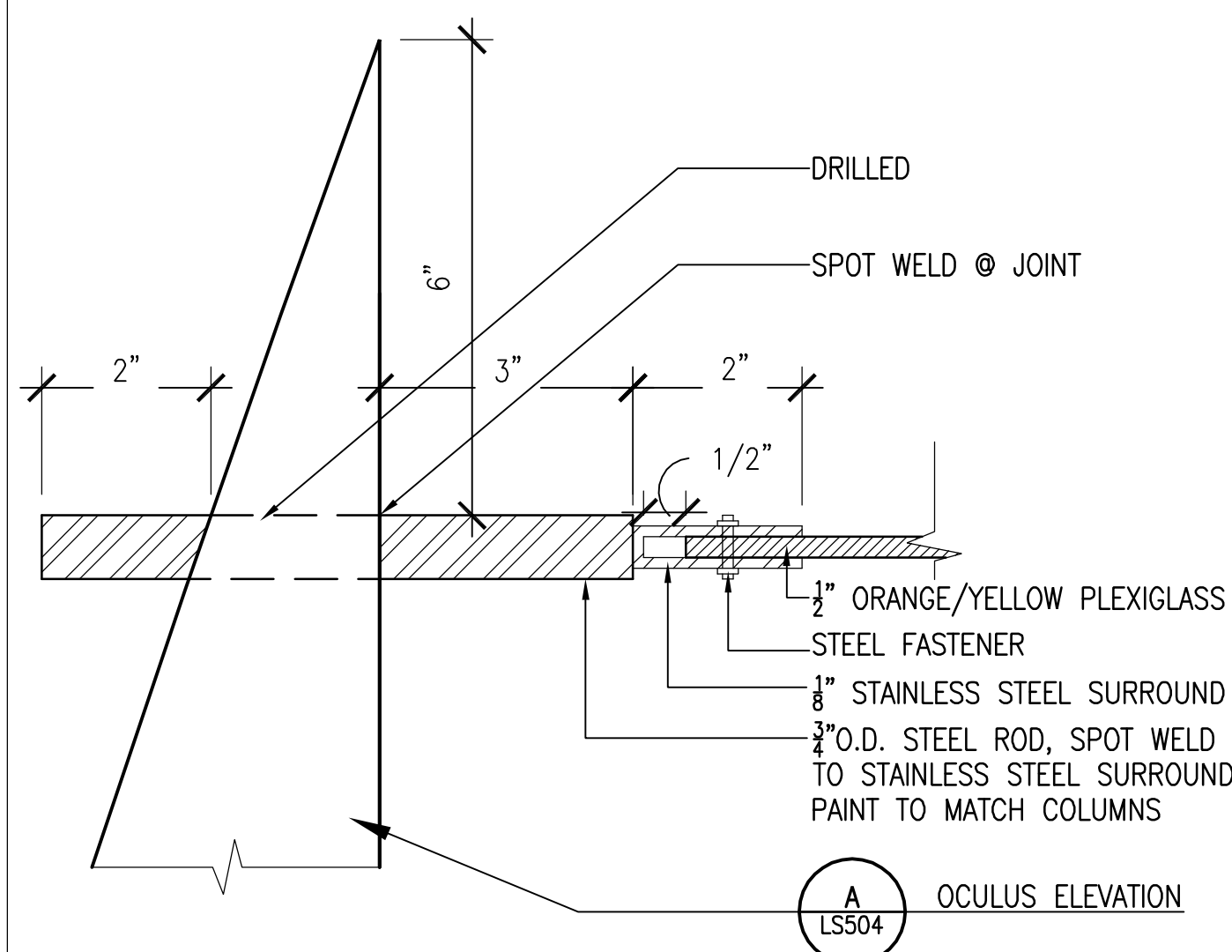
SIDE ELEVATION/SECTION LOOKING WEST



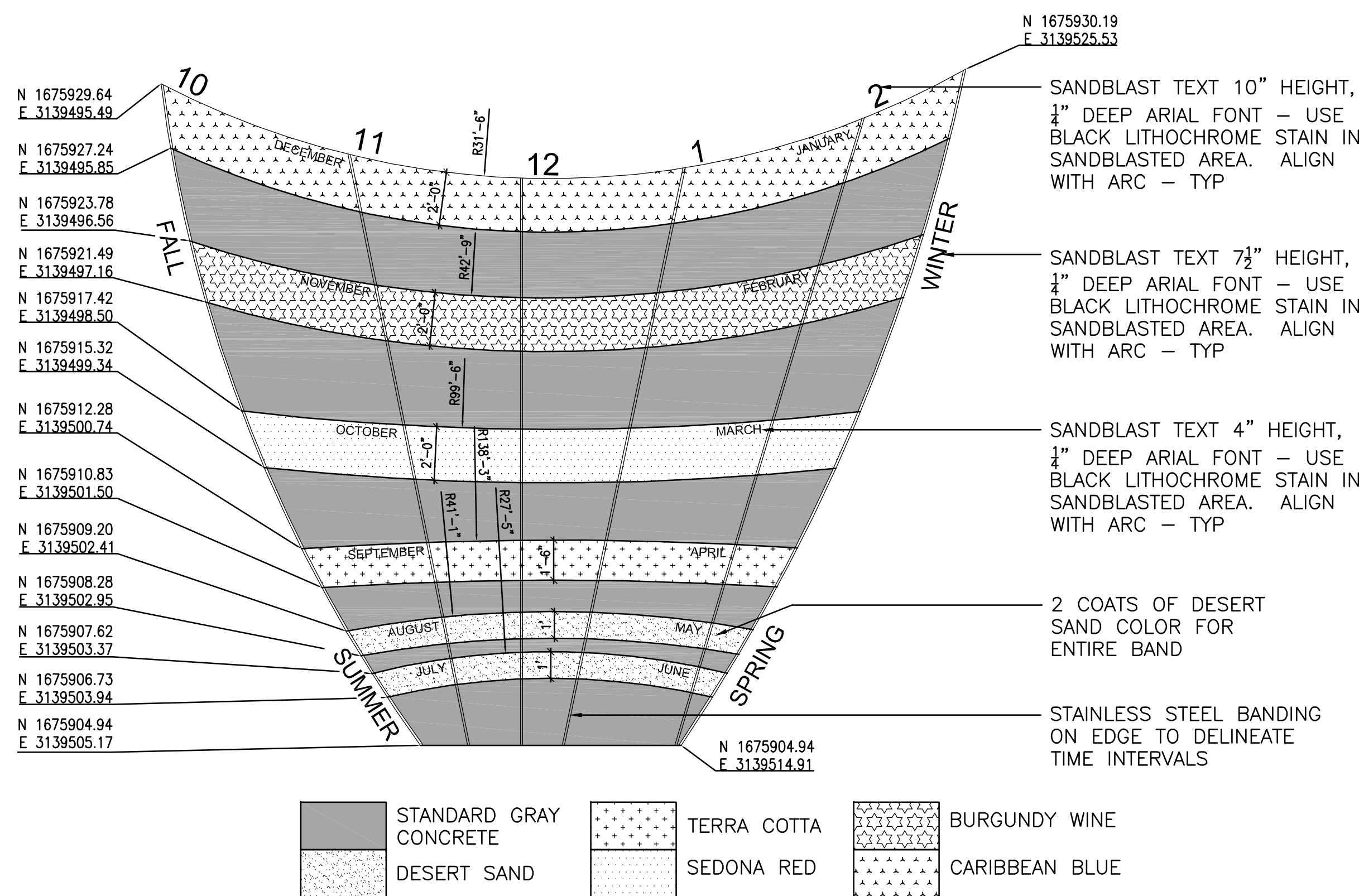
B OCULUS ATTACHMENT AND FOOTING
SCALE: 1"=1'-0"



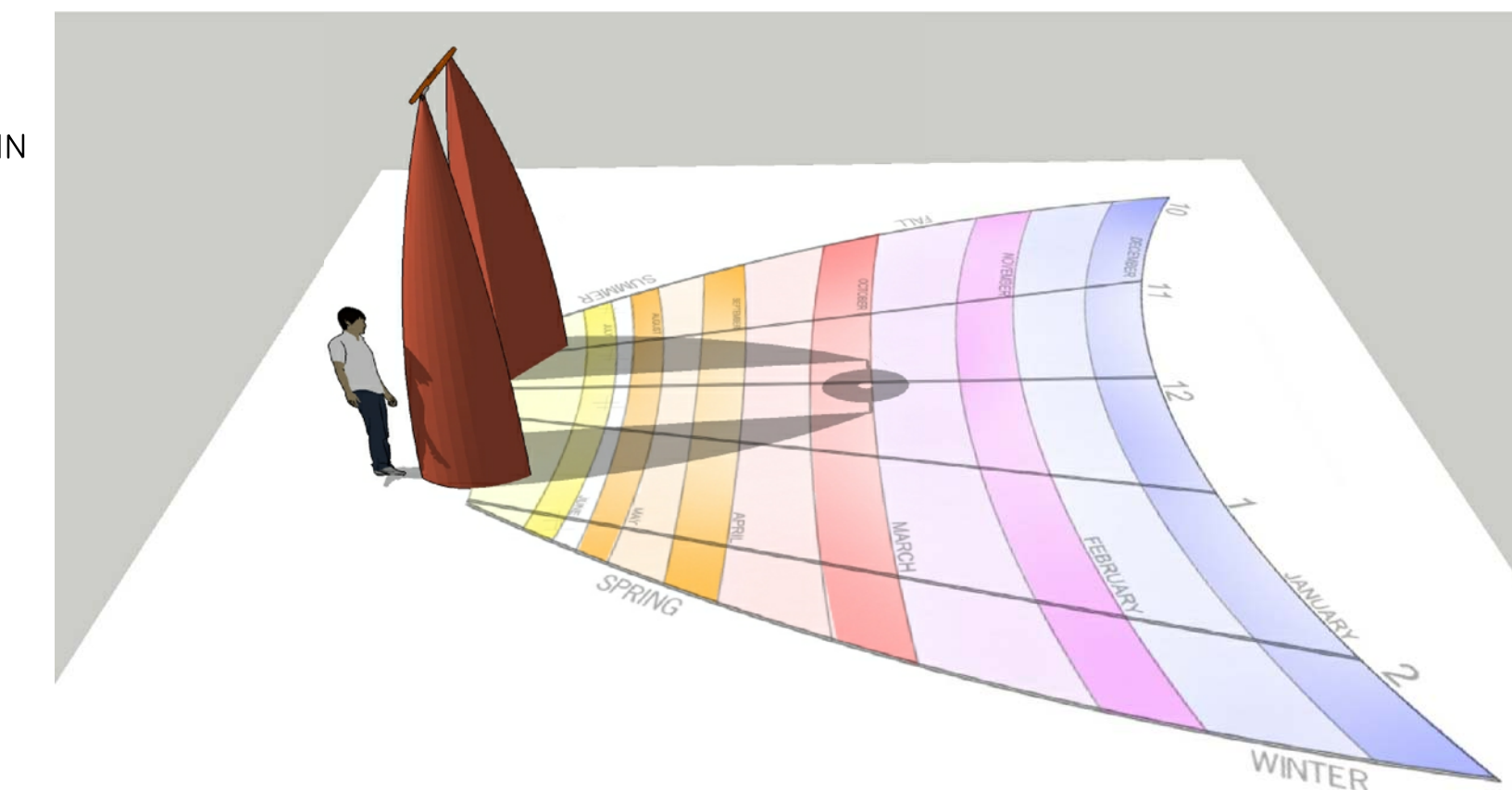
E SOLAR CALENDAR DESIGN INTENT - DEC. 10TH
SCALE: NTS



C PLEXIGLASS ATTACHMENT
SCALE: 6"=1'-0"



D SOLAR CALENDAR
SCALE: 1/4"=1'-0"



F SOLAR CALENDAR DESIGN INTENT - MARCH 12TH
SCALE: NTS

REV.	COMMENT	DATE

SEAL:

DATE: DECEMBER 2009
JOB NO.: -
DRAWN BY: JAS
CHECKED BY: PJM

DRAWING TITLE:
SITE DETAILS

SHEET NO.:

LS504 BID SET